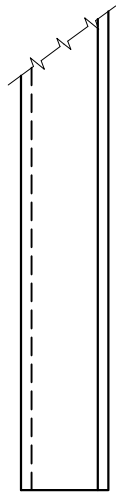
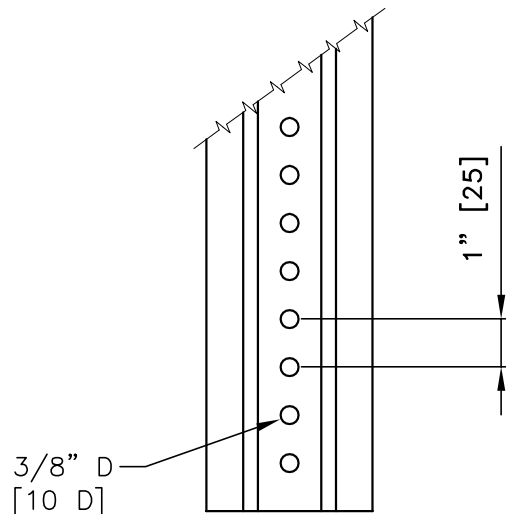


TOP



SIDE



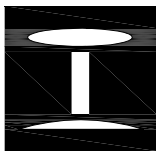
FRONT

SECTION PROPERTIES

DESIGNATOR	UNIT MASS lbs/ft [kg/m]	DIMENSIONS			
		A	B	C	D
PFP33	2 [3.0]	1.516 [39]	3.125 [79]	1.25 [32]	.625 [16]
PFP34	2.5 [3.7]	1.562 [40]	3.125 [79]	1.25 [32]	.625 [16]
PFP35	3 [4.5]	1.750 [44]	3.5 [90]	1.625 [41]	.718 [18]
PFP36	4 [6.0]	1.750 [44]	3.5 [90]	1.671 [42]	.718 [18]

2015

FRANKLIN DIRECT BURIAL U-CHANNEL SIGN SUPPORTS



Franklin Industries Co
Franklin, PA
(814) 437-3726
FAX: (814) 432-7556
www.franklinindustriesco.com

PFP33-36
SHT 1 OF 2
REVISION 4/18/2015

SPECIFICATION

The Franklin Industries hot rolled U-channel sign supports shall be manufactured from high strength rail steel according to ASTM A499, Grade 60. Posts shall be punched full length with .375 [10] diameter holes spaced on 1 [25] centers. The first hole shall be 1 [25] from the top of the post and the bottom of the post shall be tapered or square. Posts may be finished with either a green weather resistant enamel paint or galvanized per ASTM A123. The weight of the sign post are 2.0lbs/ft [3.0 kg/m] 2.5lbs/ft [3.7kg/m] 3.0lbs/ft [4.5kg/m] and 4.0lbs/ft [6.0kg/m] (PFP33-36).

INTENDED USE

The Franklin Industries U-channel sign post can be used in a variety of up to 84 [2100] wide sign support systems including up to two (2) PFP35 posts directly buried with no splice in strong soil, a SSP08a-b installation utilizing up to two (2) PFP36 in strong soil, and SSP01a-c sign support systems utilizing up to three (3) PFP36 posts in strong or weak soil. Soil plates are required in SSP01a-c installations in weak soil.

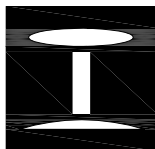
CONTACT INFORMATION

Franklin Industries Co
P.O. Box 671
Franklin, PA 16323
(814) 437-3726
FAX: (814) 432-7556

2015

FRANKLIN DIRECT BURIAL U-CHANNEL SIGN SUPPORTS

PFP33-36
SHT 2 OF 2
REVISION 4/18/2015



Franklin Industries Co
Franklin, PA
(814) 437-3726
FAX: (814) 432-7556
www.franklinindustriesco.com